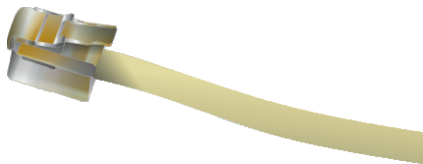


# ASESORIS TELEPHONE KITANI

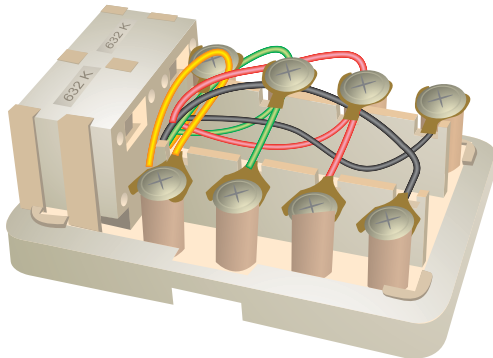
## ASESORIS TELEPHONE

| MODEL  |   | Kabel Telpon Isi 2<br>Abu - abu | Kabel Telpon Isi 4<br>Abu - abu | Line Telpon Isi 4<br>Ivory | Line Telpon Isi 2<br>Ivory |
|--|---|---------------------------------|---------------------------------|----------------------------|----------------------------|
| Penghantar Dalam, Kawat/Diameter penghantar (mm) |   | 2 x 0.5                         | 4 x 0.5                         | 4 x 7/0.12                 | 2 x 7/0.12                 |
| Diameter Penghantar (mm)                         |   | 0.50                            | 0.50                            | 0.34                       | 0.34                       |
| Pembungkus Dalam (mm)                            |   | 1.20                            | 1.20                            | 0.90                       | 0.90                       |
| Pembungkus Luar (mm)                             |   | 3.80                            | 4.20                            | 6.02                       | 5.20                       |
| Berat Kabel (kg/km)                              |   | 14.30                           | 26.12                           | 12.73                      | 58.29                      |
| Panjang Standar (m)                              |   | 35, 45, 90                      | 35, 45, 90                      | 90, 270                    | -                          |
| Panjang Standar dengan Pin Telephone (m)         |   | -                               | -                               | 2, 5, 10, 15, 20, 25, 30   | 0.12                       |
| Spesifikasi Listrik                              | Tahanan Penghantar (20 0C) ( $\Omega$ /km)        | 4.61                            | 4.61                            | 4.61                       | 4.61                       |
|  | Tegangan (AC/min)                                 | 300                             | 300                             | 300                        | 300                        |
|  | Tahanan Pembungkus Dalam ( $M\Omega$ -km)         | 500                             | 500                             | 500                        | 500                        |
| Spesifikasi Mekanik                              | Pemuluran Tahanan Penghantar (%)                  | 25 - 27                         | 25 - 27                         | 25 - 27                    | 25 - 27                    |
|  | Kuat Tarik Isolasi/Sheathing (N/mm <sup>2</sup> ) | 6.5/10.0                        | 6.5/10.0                        | 7.58/14.38                 | 7.58/14.38                 |
|  | Pemuluran Isolasi/Sheathing (%)                   | 200/225                         | 200/225                         | 331/113                    | 331/113                    |

### KABEL LINE TELEPHONE DENGAN PIN



### WALL SOCKET TELEPHONE ACCESSORIES



| JENIS KABEL                 | UKURAN PANJANG (m) | ISI PER DUS (Pcs) |
|-----------------------------|--------------------|-------------------|
| TELP CABLE 2 ABU-ABU 100yrd | 100                | 20                |
| TELP CABLE 4 ABU-ABU        | 90                 | 15                |
| LINE TELP 4 KITANI          | 90                 | 30                |
| LINE TELP 4 KITANI          | 270                | 10                |
| LINE TELP 4 KITANI          | 2                  | 600               |
| LINE TELP 4 KITANI          | 5                  | 480               |
| LINE TELP 4 KITANI          | 10                 | 240               |
| LINE TELP 4 KITANI          | 15                 | 160               |
| LINE TELP 4 KITANI          | 20                 | 100               |
| LINE TELP 4 KITANI          | 25                 | 100               |
| LINE TELP 4 KITANI          | 30                 | 100               |

